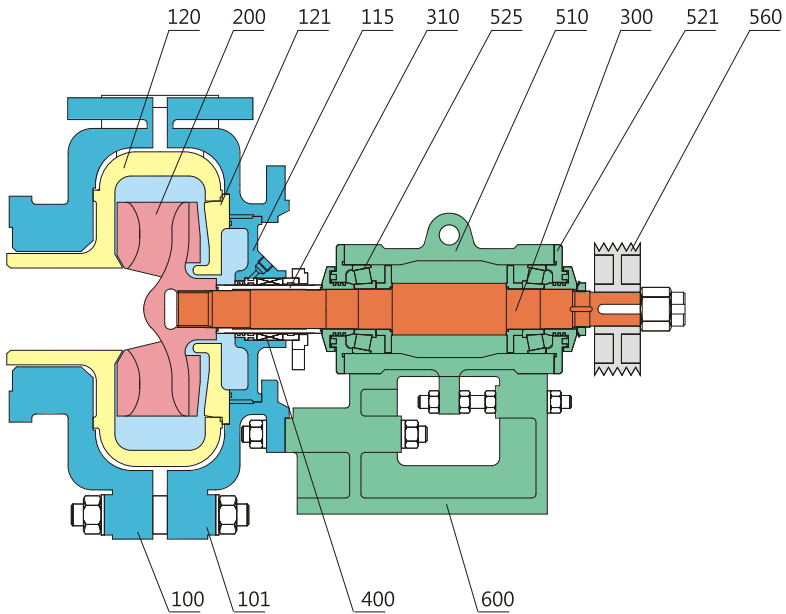
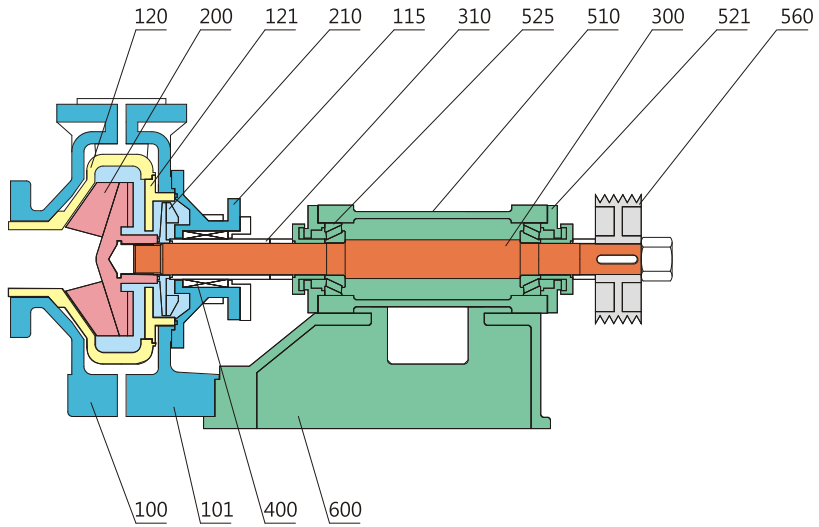


# SECTIONAL DRAWING



No.	DESCRIPTION	MATERIAL	
		RUBBER	VOLUTE
100	OUTER CASING(A)	GC200	GC200/SSC13
101	OUTER CASING(B)	GC200	GC200/SSC13
120	FRONT LINER	RUBBER	HI-CR
121	BACK LINER	RUBBER	HI-CR
200	IMPELLER	RUBBER	HI-CR
210	EXPPELLER	SSC13	SSC13
115	STUFFING BOX	SSC13	SSC13
300	SHAFT	SM45C	SM45C/STS304
310	SHAFT SLEEVE	STS304	STS304
400	GRAND PACKING	TEFLON	TEFLON
510	BEARING HOUSING	GC200	GC200
521	BEARING COVER	SS400	SS400
525	BEARING	STB2	STB2
600	FRAME	GC200	GC200
560	PULLEY	GC200	GC200