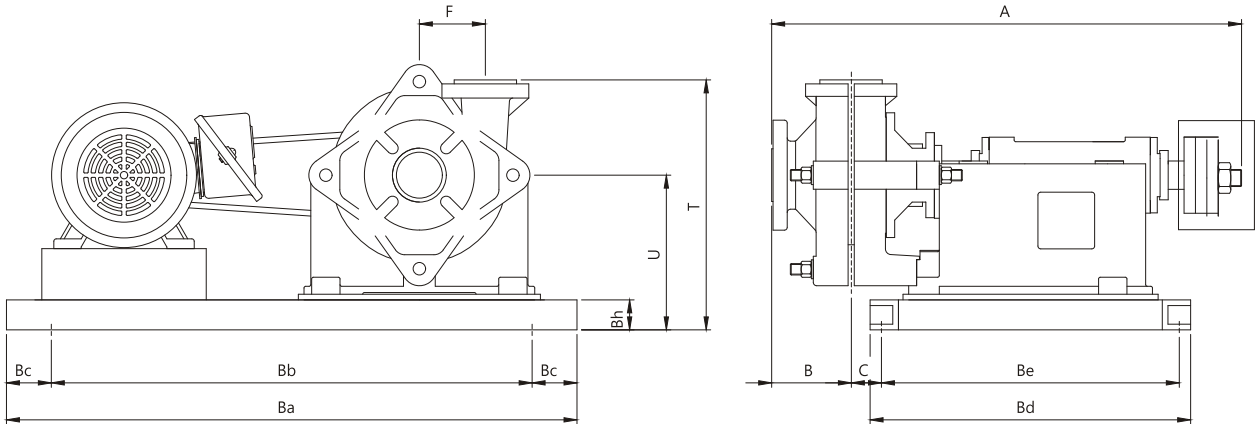


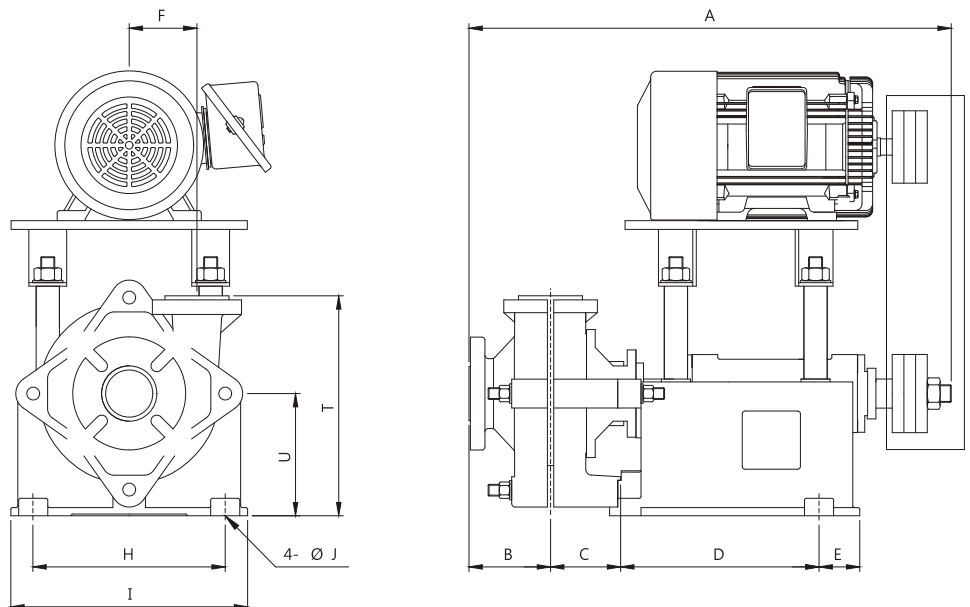
OUTLINE DIMENSION

HORIZONTAL MODEL



MODEL	BORE		PUMP & MOTOR													WEIGHT(kg)	
	SUC.	DIS.	A	B	C	F	U	T	Bh	Ba	Bb	Bc	Bd	Be	J	RUBBER	VOLUTE
SWM-1 X 3/4	25	20	454	89	50	86	246	373	100	900	600	150	400	360	19	35	45
SWM-3 X 2	80	50	815	140	60	110	310	480	100	1000	700	150	450	410	19	105	120
SWM-4 X 3	100	80	940	165	80	146	390	603	125	1100	800	150	580	530	19	185	215
SWM-6 X 4	150	100	1135	195	100	190	465	740	150	1250	950	150	700	640	19	310	375
SWM-8 X 6	200	150	1636	234	110	248	607	928	175	1800	1400	200	980	920	23	670	820
SWM-10 X 8	250	200	1717	305	130	292	658	1062	175	2000	1600	200	1120	1060	23	1200	1450

TOP MODEL



MODEL	BORE		PUMP & MOTOR											WEIGHT(kg)	
	SUC.	DIS.	A	B	C	D	E	F	H	I	U	T	J	RUBBER	VOLUTE
SWM-1 X 3/4	25	20	454	89	85	160	22	86	210	242	146	273	14	35	45
SWM-3 X 2	80	50	815	140	133	355	46	110	330	407	210	380	19	105	120
SWM-4 X 3	100	80	940	165	157	368	60	146	425	510	265	476	22	185	215
SWM-6 X 4	150	100	1135	196	184	455	85	190	545/525	640	315	590	25	310	375
SWM-8 X 6	200	150	1636	234	235	660	125	248	610	844	432	753	25	670	820
SWM-10 X 8	250	200	1717	305	266	787	135	292	700	996	483	887	25	1200	1450