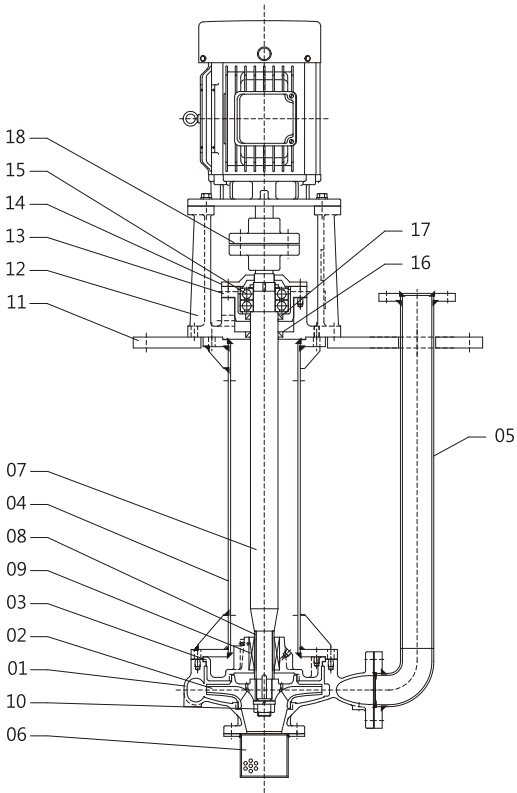


SECTIONAL DRAWING

SVP



No.	PART NAME	Q'ty	SVP MATERIAL	
			M1	M2
1	CASING	1	GC200	SSC13,14
2	IMPELLER	1	SSC13	SSC13,14
3	CASING COVER	1	GC200	SSC13,14
4	COLUMN PIPE	1	SGP	STS316
5	DISCHARGE PIPE	1	SGP	STS316
6	STRAINER	1	SS400	STS316
7	SHAFT	1	SM45C	STS316
8	SLEEVE	1	STS304	STS316
9	SHAFT LINE BUSH	1	Non-Metal	Non-Metal
10	IMPELLER NUT	1	STS304	STS316
11	BASE PLATE	1	SS400	SS400
12	BRACKET	1	GC200	GC200
13	BEARING HOUSING	1	GC200	GC200
14	HOUSING COVER	1	GC200	GC200
15	BEARING	2	STB2	STB2
16	OIL SEAL (BRACKET)	1	NBR	NBR
17	OIL SEAL (HOUSING)	1	NBR	NBR
18	COUPLINT	1st	GC200	GC200